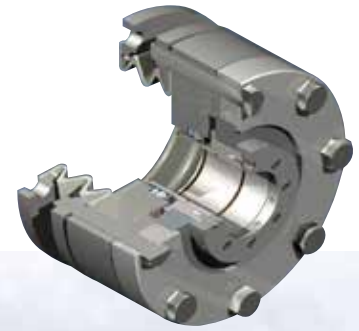


Case Study: Sugar Refinery- Garlock 3-D Mixer Seal



INDUSTRY

Food Processing – Sugar Refinery

CUSTOMER

A major global cane sugar refiner.

BACKGROUND

The customer's sugar crystallizer agitator was not performing properly with the given PTFE compression packing that was installed. To crystallize sugar, the syrup is heated to evaporate the water content. This is best done under a vacuum to allow lower process temperature, thereby significantly reducing the chance of discoloring (burning) the crystals. The system was designed to use compression packing to seal the area where the shaft entered the crystallizer. The packing was allowing air to enter the system, thereby increasing the chance of spoiling a batch.

CHALLENGES FACED

The crystallizer is housed in a 3 story building and contains a 22 ft.(6.7 m) long 6" (15 cm) diameter shaft with a steady bearing at the bottom and the drive motor on top. The stuffing box held seven rings of PTFE packing. The maintenance personnel would have to climb to the top of the crystallizer 3-4 times per week to adjust the packing, thus presenting a heightened safety risk. Despite these adjustments, the packing was still unable to hold the required vacuum.

It was determined that a mechanical seal would allow the system to operate under a vacuum. However, the shaft had an indicated 0.495" - 0.500" (1.25cm – 1.27cm) of radial run-out. Finding the correct seal that would be able to hold a vacuum and move with the shaft was the goal.

OPERATING CONDITIONS

1. Media: Sugar
2. Speed: 120 fpm
3. Temperature: 140°F (60°C)
4. Pressure: Operates under a vacuum
5. 0.495" - 0.500" (1.25 cm – 1.27 cm) radial run-out during operation

SOLUTION AND BENEFITS

A Garlock 3-D Mixer/Agitator Seal was chosen. The seal combines P/S® technology to seal the rotating shaft without external lubrication, a close tolerance bearing to maintain seal concentricity with the shaft, and a Garlock 214 PTFE expansion joint to allow the entire seal to "move" with the shaft. The seal was designed to install with minimal modifications to the customer's equipment. The resulting solution has significantly reduced maintenance time, with seal inspection only required every 4-5 weeks rather than several times per week. The customer is now also able to control the vacuum pressure reliably and consistently. They are so satisfied with the result, they are now converting the remainder of their crystallizers (5 x units) to use the 3-D seal.

For more information, please visit: www.garlock.com

GARLOCK

an *EnPro* Industries family of companies

Tel: 1-877-GARLOCK / 315.597.4811

Fax: 800.543.0598 / 315.597.3216

www.garlock.com

Garlock Sealing Technologies

GPT

Garlock Australia

Garlock do Brasil

Garlock de Canada, LTD

Garlock China

Garlock Singapore

Garlock Germany

Garlock India Private Limited

Garlock de Mexico, S.A. De C.V.

Garlock New Zealand

Garlock Great Britain Limited

Garlock Middle East